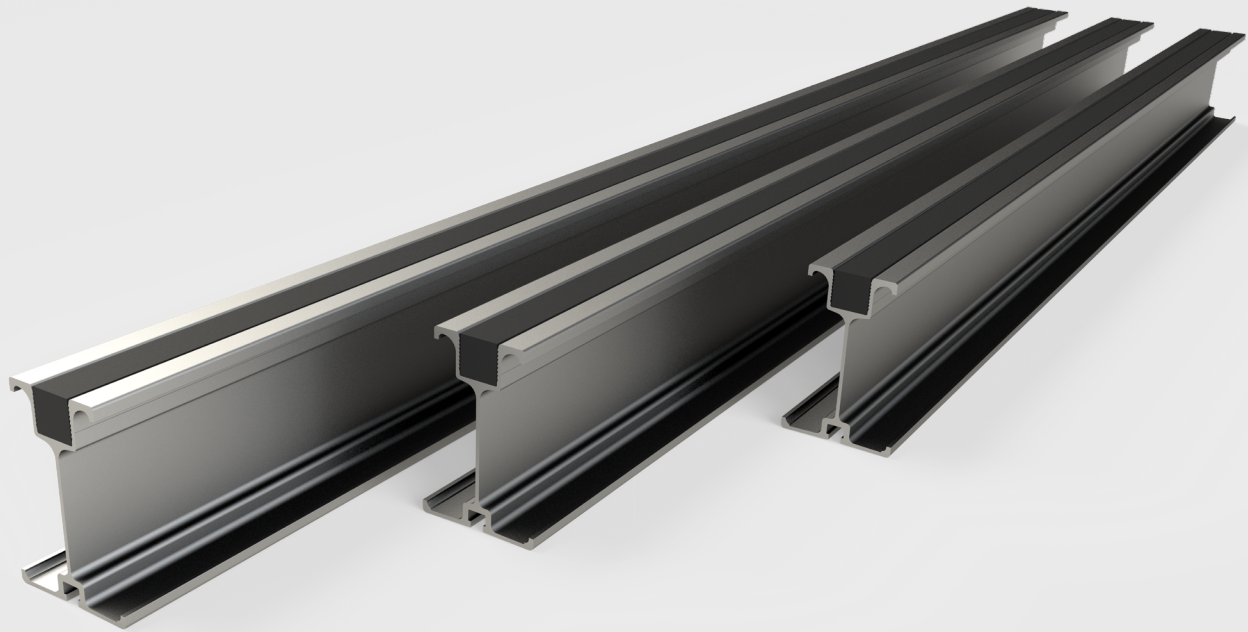


ALUMA BEAM®

Aluminum Formwork and Shoring Beam.



At Work For You™



At Work
For You™

The Original Aluma Beam

Aluma Systems began in 1972 with the design of the Aluma Beam®. A breakthrough in construction engineering that revolutionized the industry by introducing high grade aluminum forming and shoring components to replace the expensive and heavy wood and steel equipment.



ALUMA BEAM®



Product Benefits

ALUMA BEAM®

Recycled, heavy-duty plastic nailer strip lasts four times longer than wood

Versatile and compatible with most other concrete construction systems available in North America





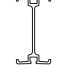


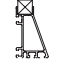
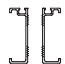
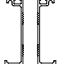
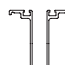


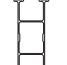


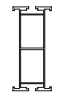
Strong, long-lasting, lightweight aluminum alloy

Greater strength-to-weight ratio than steel or wood

ALUMA BEAM®

Technical Data

Product Description	Aluminum Shoring System
Beam Lengths (ft)	2 - 24 ft
Max. Load	Varies based on span
Relevant Standards	S269.3-M92
Special Features	<ul style="list-style-type: none"> • Accepts standard ½" diameter bolt with square, hex or special Aluma head • Easy Maintenance • Strong, long-lasting, lightweight aluminum alloy • Integrates with many systems • Plastic nailer strip • Vertical and horizontal applications

 140 BM	 165 BM	
 122 BM	 165 STR BM	
 190 STR BM	 AL STR	
 55K CRN STBK	 165 GRB	
 25K STBK	 35K STBK	
 55K STBK	 25K CRN STBK	
 190 DWS	 250 DWS	
 5" WALER	 8" WALER	 DUAL 225

